

① (1) $1\frac{1}{2}$

(2) 3

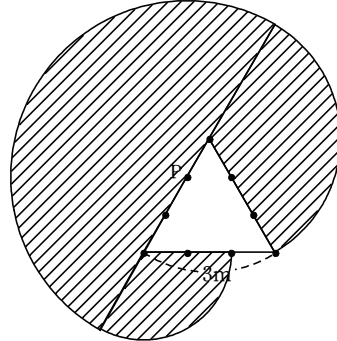
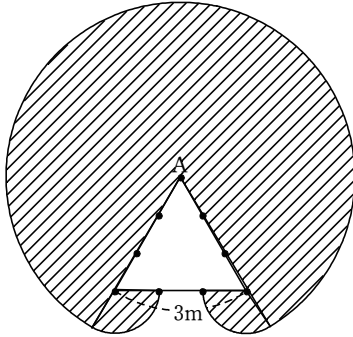
② (1) $\frac{31}{8}$

(2) 85

(3) 5番目: $\frac{15}{5}$, 17番目: $\frac{153}{17}$

③ (1) 43.96 m^2

(2) 38.73 m^2



④ (1) ②,③,④

(2) ①,⑤

(3) ②,③

(4) ④,⑤

⑤ (1) 80円

(2) 21個

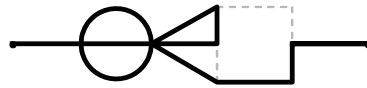
(3) 2940円

⑥ (1) 2通り



(解答は一例)

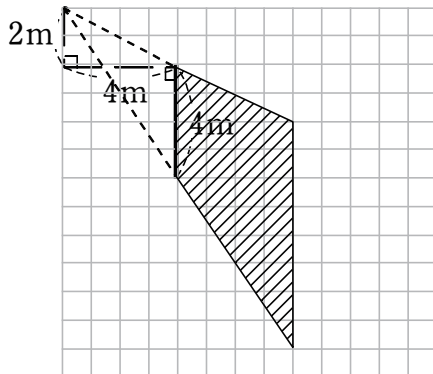
(2) 48通り



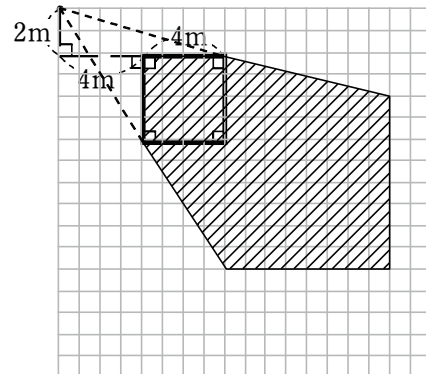
(解答は一例)

⑦ (1) 1 m

(2) 24 m^2



(3) 100 m^2



(4) 45 m^2